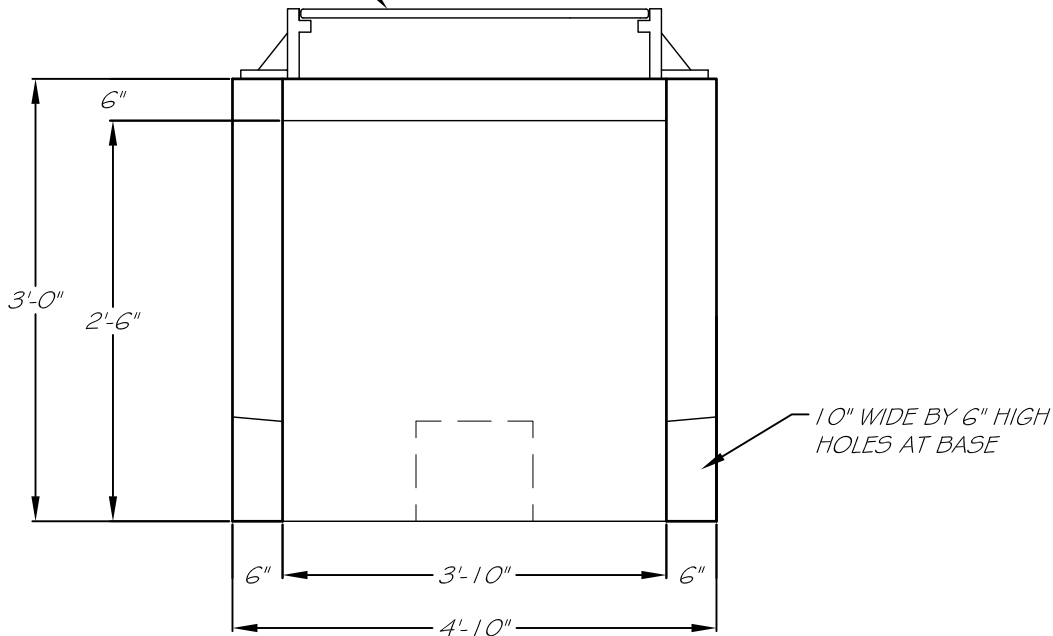


24" FRAME &
COVER AVAILABLE
UPON REQUEST



DESIGN DATA & GENERAL NOTES

1. CONCRETE: 5,000 psi @ 28 DAYS
2. CEMENT: PORTLAND TYPE III PER ASTM C150
3. DESIGN LOADING: H-20 PER ASTM C-478.

HEAVY DUTY 2' X 2' HANDHOLE

www.georgerobertsco.com

George R. Roberts Co.
Precast Concrete Products

192 Biddeford Road Phone 207-324-6571
Alfred, Maine 04002 Fax 207-324-8533