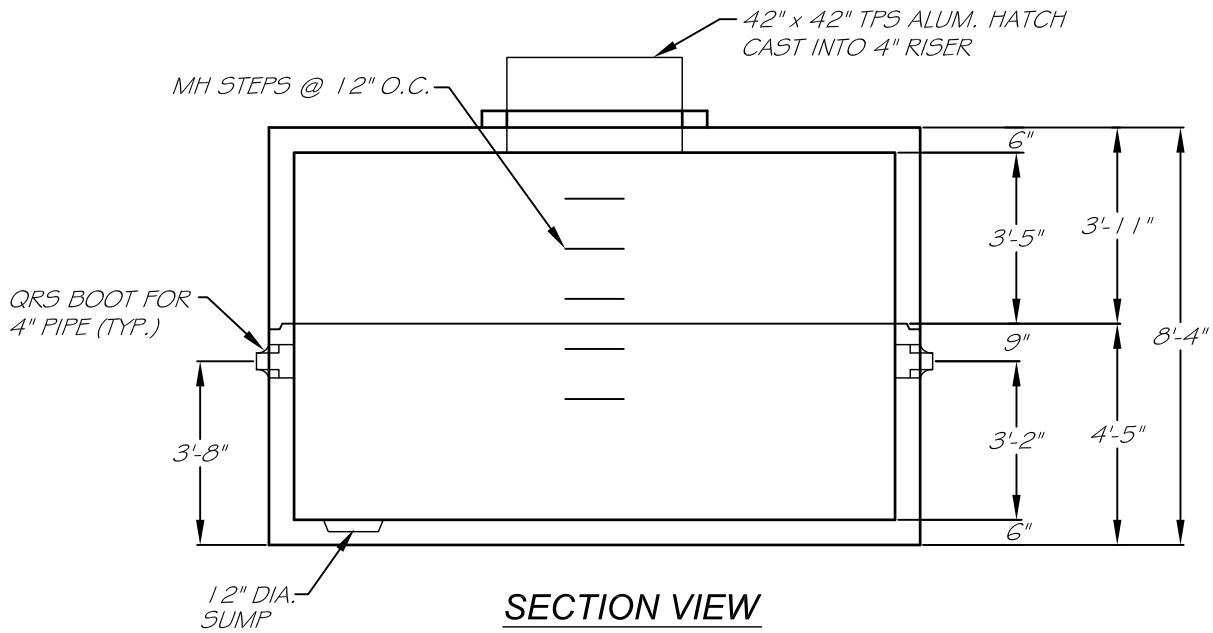


PLAN VIEW



SECTION VIEW

DESIGN DATA & GENERAL NOTES

1. CONCRETE: 5,000 psi @ 28 DAYS
2. CEMENT: PORTLAND TYPE III PER ASTM C150
3. DESIGN LOADING: AASHTO HS20-44
4. JOINTS TO BE SEALED WATERTIGHT W/ ASPHALTIC BUTYL SEALANT

6' X 12' WATER METER PIT (P.W.D.)

www.georgerobertsco.com

George R. Roberts Co.
Precast Concrete Products

192 Biddeford Road Phone 207-324-6571
Alfred, Maine 04002 Fax 207-324-8533