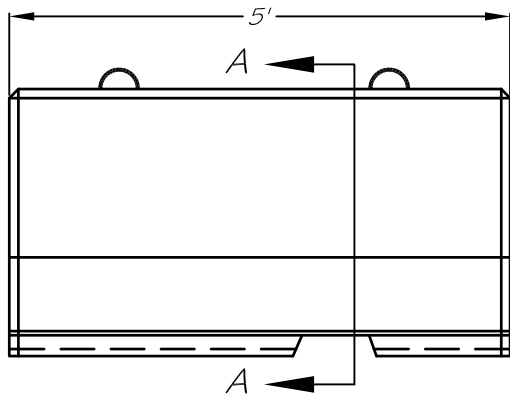
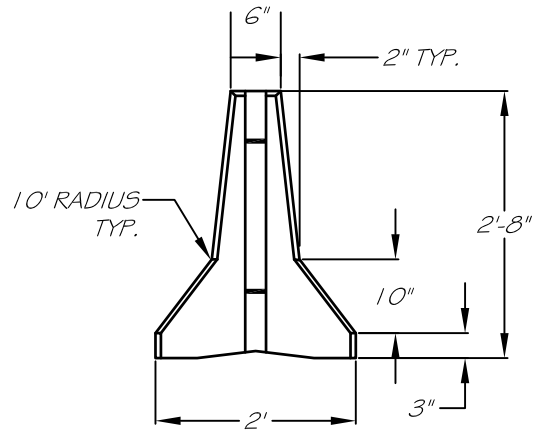


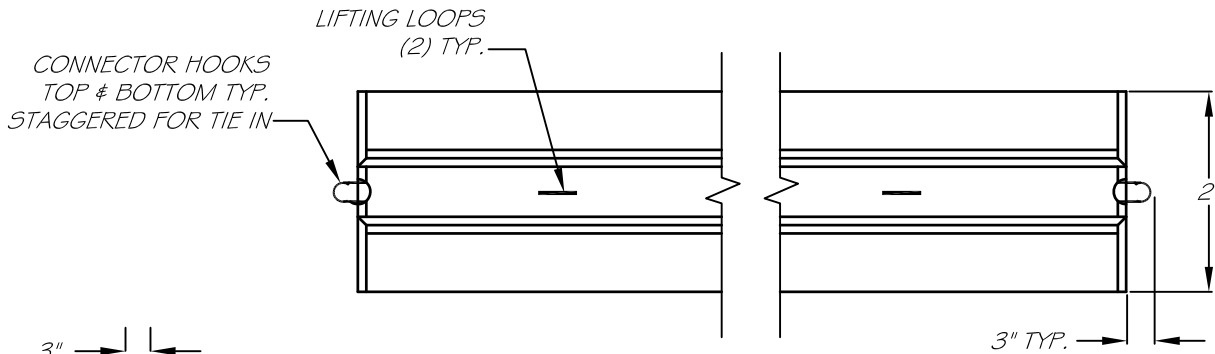
ELEVATION 10 FOOT BARRIER



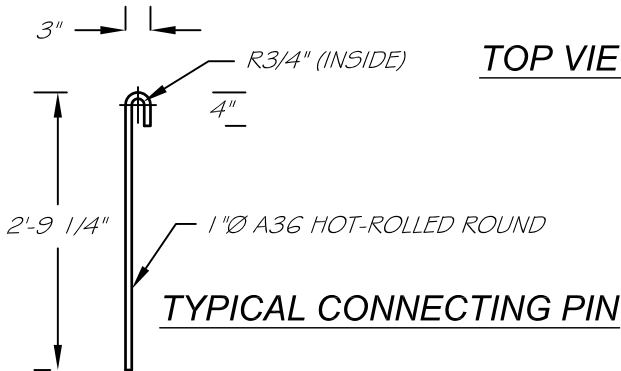
ELEVATION 5 FOOT BARRIER



SECTION A-A



TOP VIEW (5' OR 10' SIMILAR)



TYPICAL CONNECTING PIN

WEIGHT (Approx.):
 5' BARRIER = 1900 lbs.
 10' BARRIER = 3780 lbs.

DESIGN DATA & GENERAL NOTES

1. CONCRETE: 5,000 psi @ 28 DAYS
2. CEMENT: PORTLAND TYPE III PER ASTM C150
3. REINFORCING PER MDOT SPECIFICATION

JERSEY BARRIER (5' & 10')

www.georgerobertsco.com

George R. Roberts Co.
 Precast Concrete Products

192 Biddeford Road Phone 207-324-6571
 Alfred, Maine 04002 Fax 207-324-8533