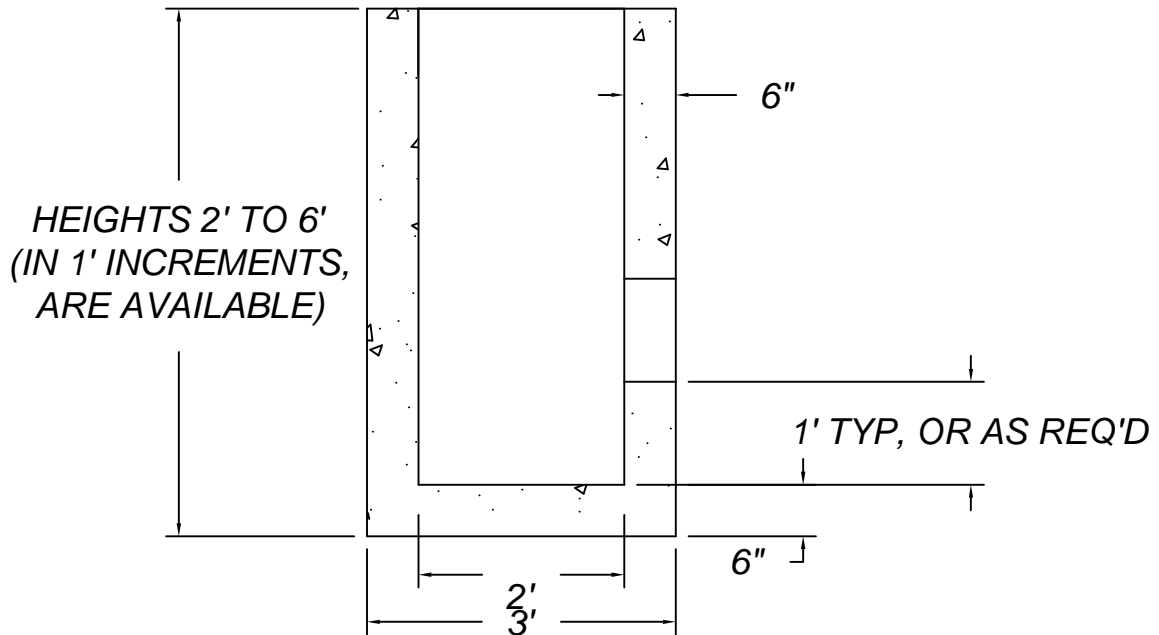


PLAN VIEW



SECTION AA

DESIGN DATA & GENERAL NOTES

1. CONCRETE: 5,000 P.S.I @ 28 DAYS.
2. CEMENT: PORTLAND TYPE III PER ASTM C150-81
3. REINFORCING: CONFORMS TO ASTM C-478
4. FRAME & GRATE OPTIONAL

CATCH BASIN 2' SQ - TYPE 'F'

George R. Roberts Co.
Precast Concrete Products

CB-_____

www.georgerobertsco.com

192 Biddeford Road Phone 207-324-6571
Alfred, Maine 04002 Fax 207-324-8533