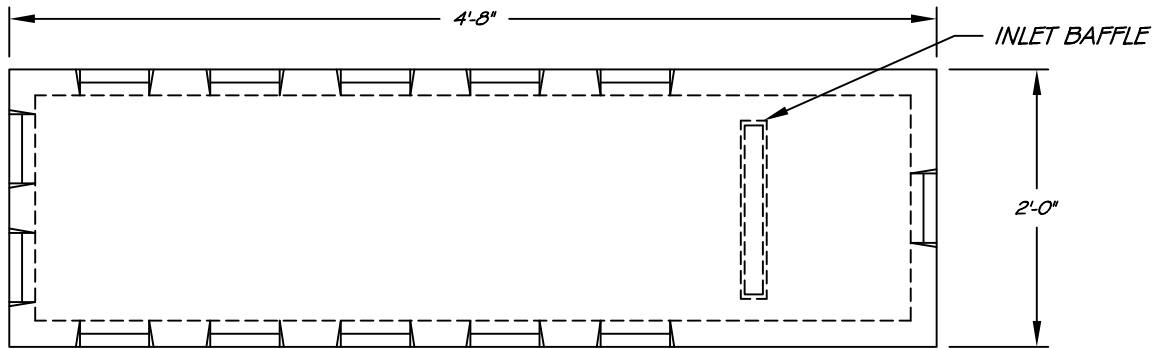
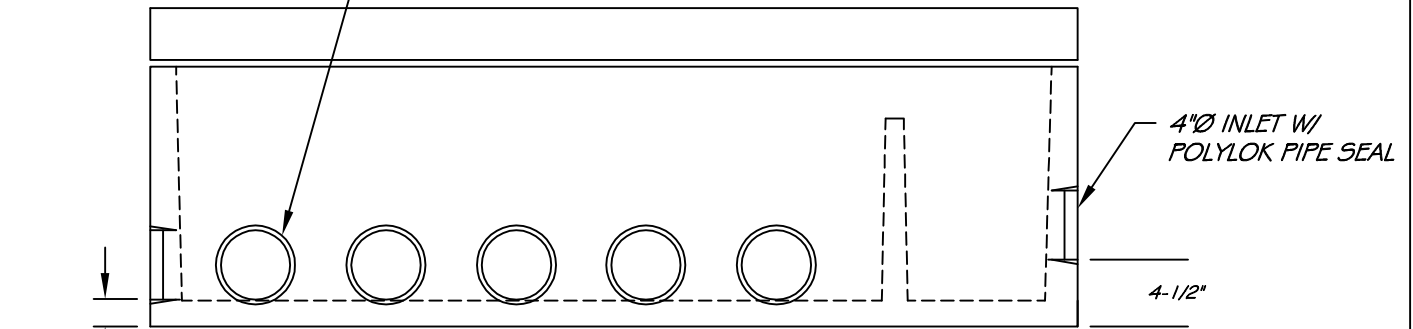


END VIEW



PLAN VIEW (W/O COVER)

(12) TWELVE 4"Ø OUTLETS
W/ POLYLOK PIPE SEALS



SIDE ELEVATION

DESIGN DATA & GENERAL NOTES

- 1) CONCRETE: 4,000 PSI @ 28 DAYS.
- 2) CEMENT: PORTLAND TYPE I OR III
PER ASTM C150.
- 3) REINFORCING: FIBERS.
- 4) DESIGN LOADING: H-10
- 5) APPROXIMATE WEIGHT: 840 LBS. W/ COVER

12 - OUTLET DISTRIBUTION BOX

DBP-1-12

www.georgerobertsco.com

George R. Roberts Co.
Precast Concrete Products

192 Biddeford Road Phone 207-324-6571
Alfred, Maine 04002 Fax 207-324-8533