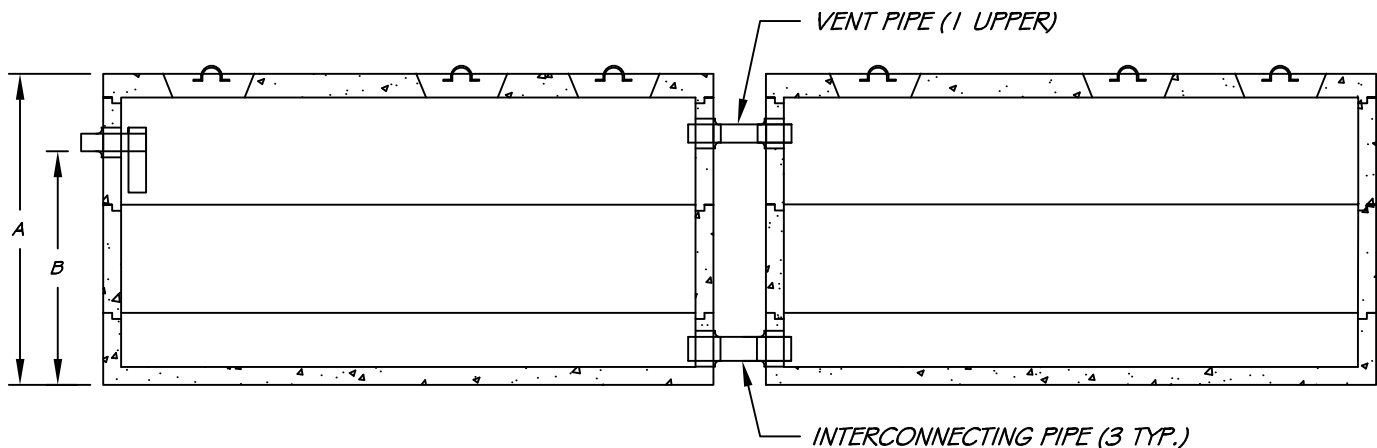


PLAN VIEW



SECTION VIEW

DATA CHART

GALLON CAPACITY	A	B
8,000	7'-6"	5'-7"
9,000	8'-1"	6'-2"
10,000	8'-8"	6'-9"
11,000	8'-8"	7'-4"
12,000	9'-11"	7'-11 1/2"
13,000	11'-1 1/2"	8'-6"
14,000	11'-1 1/2"	9'-1 1/2"
15,000	11'-8 1/2"	9'-9"
16,000	12'-3 1/2"	10'-4"

DESIGN DATA & GENERAL NOTES

- 1) CONCRETE: 5,000 PSI @ 28 DAYS
- 2) CEMENT: TYPE III PER ASTM C150-81
- 3) DESIGN LOADING: AASHTO HS20-44
- 4) JOINTS TO BE SEALED WATERTIGHT W/ ASPHALTIC BUTYL SEALANT
- 5) TEES: PROVIDED & INSTALLED BY OTHERS

HOLDING/STORAGE TANKS
8,000 TO 16,000 GALLON (2-SERIES)

VARIOUS ITEM #'S

www.georgerobertsco.com

George R. Roberts Co.
Precast Concrete Products

192 Biddeford Road Phone 207-324-6571
Alfred, Maine 04002 Fax 207-324-8533