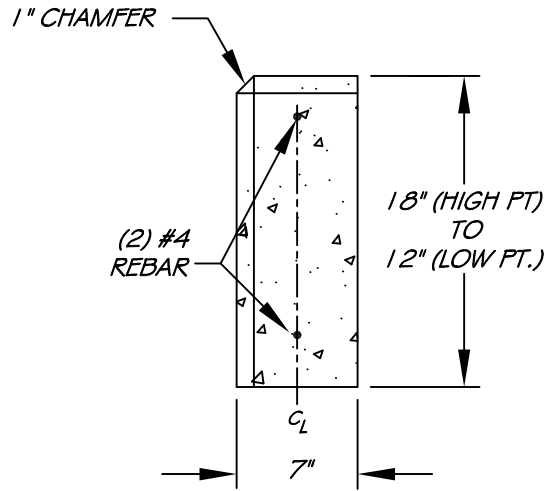
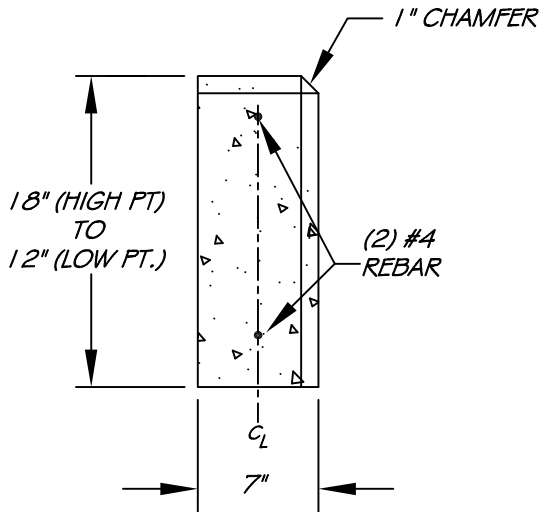


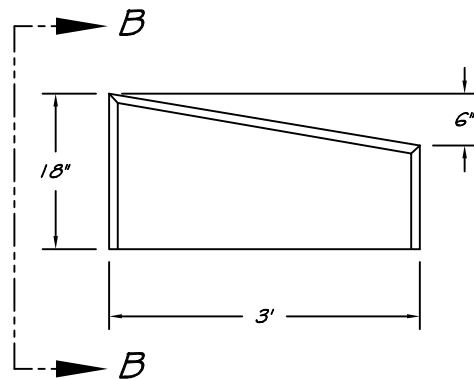
FRONT ELEVATION - RIGHT SIDE  
(OUTSIDE FACE)



SECTION A-A



SECTION B-B



FRONT ELEVATION - LEFT SIDE  
(OUTSIDE FACE)

DESIGN NOTES

1. CONCRETE: 5,000 PSI @ 28 DAYS
2. CEMENT: PORTLAND CEMENT TYPE III PER ASTM C 150
3. RADIUS TIPDOWN TRANSITIONS NOT AVAILABLE
3. APPROX. WEIGHT ±855 lbs.

**PRECAST STREET CURB - 3' TIP DOWN SECTION**

**CRB-TD3**

[www.georgerobertsco.com](http://www.georgerobertsco.com)

**George R. Roberts Co.**  
Precast Concrete Products

192 Biddeford Road Phone 207-324-6571  
Alfred, Maine 04002 Fax 207-324-8533