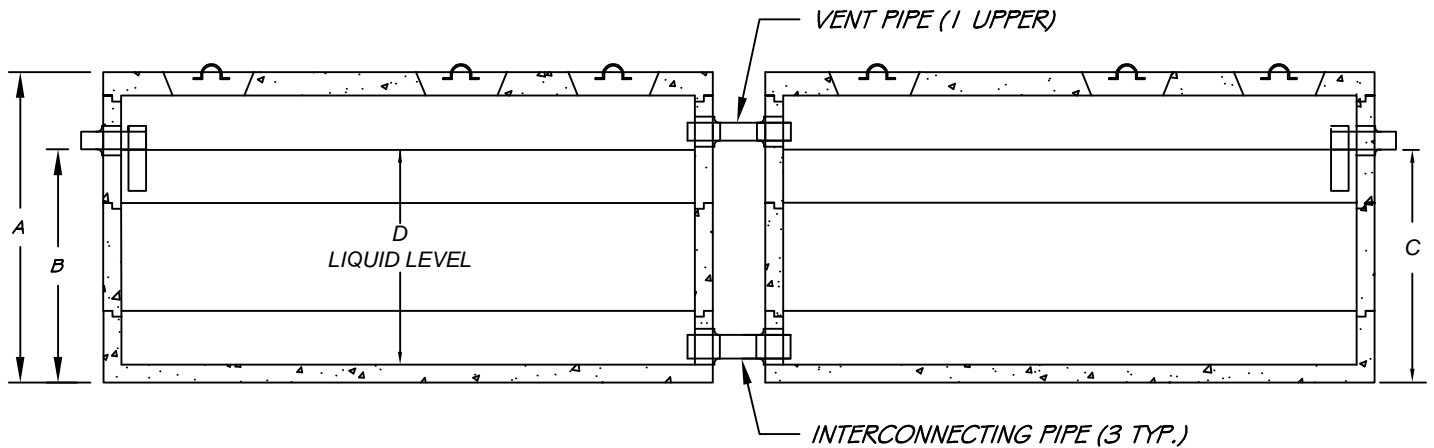


PLAN VIEW



SECTION VIEW

DATA CHART

| GALLON CAPACITY | A | B | C | D |
|-----------------|------------|------------|------------|-----------|
| 8,000 | 7'-6" | 5'-7" | 5'-4" | 4'-10" |
| 9,000 | 8'-1" | 6'-2" | 5'-11" | 5'-5" |
| 10,000 | 8'-8" | 6'-9" | 6'-6" | 6'-0" |
| 11,000 | 8'-8" | 7'-4" | 7'-1" | 6'-7" |
| 12,000 | 9'-11" | 7'-11 1/2" | 7'-8 1/2" | 7'-2 1/2" |
| 13,000 | 11'-1 1/2" | 8'-6" | 8'-3" | 7'-9" |
| 14,000 | 11'-1 1/2" | 9'-1 1/2" | 8'-10 1/2" | 8'-4 1/2" |
| 15,000 | 11'-8 1/2" | 9'-9" | 9'-6" | 9'-0" |
| 16,000 | 12'-3 1/2" | 10'-4" | 10'-1" | 9'-7" |

DESIGN DATA & GENERAL NOTES

- 1) CONCRETE: 5,000 PSI @ 28 DAYS
- 2) CEMENT: TYPE III PER ASTM C150-81
- 3) DESIGN LOADING: AASHTO HS20-44
- 4) JOINTS TO BE SEALED WATERTIGHT W/ ASPHALTIC BUTYL SEALANT
- 5) TEES: PROVIDED & INSTALLED BY OTHERS

SEPTIC TANKS 8,000 TO 16,000 GALLON (2-SERIES)

VARIOUS ITEM #'S

www.georgerobertsco.com

George R. Roberts Co.
Precast Concrete Products

192 Biddeford Road Phone 207-324-6571
Alfred, Maine 04002 Fax 207-324-8533