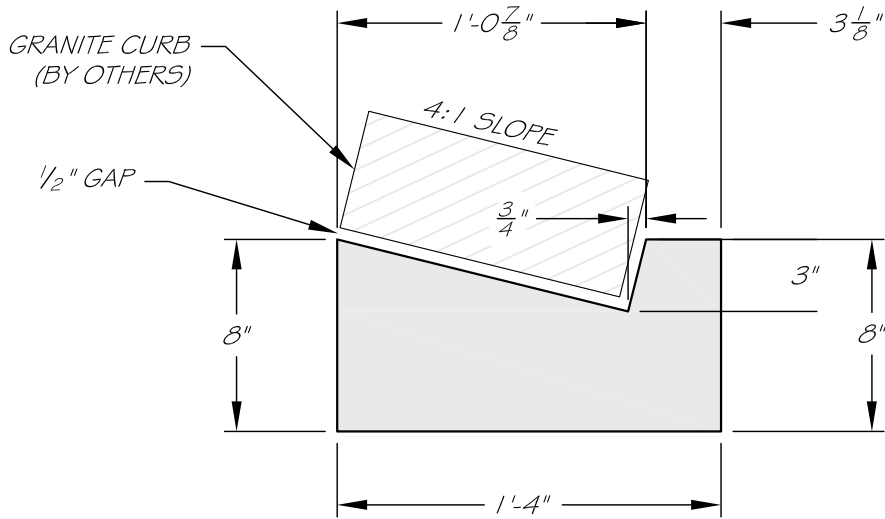
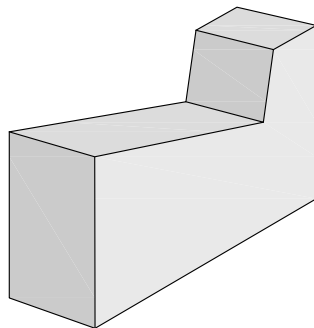


PLAN VIEW



SECTION VIEW



DESIGN DATA & GENERAL NOTES

1. CONCRETE: 5,000 psi @ 28 DAYS.
2. CEMENT: PORTLAND TYPE III PER ASTM C150.
3. REINFORCING: FIBERS.
4. APPROX. WEIGHT: 38 LBS EACH.

CURB CHAIR

CRB-CHR

www.georgerobertsco.com

George R. Roberts Co.
Precast Concrete Products

192 Biddeford Road Phone 207-324-6571
Alfred, Maine 04002 Fax 207-324-8533