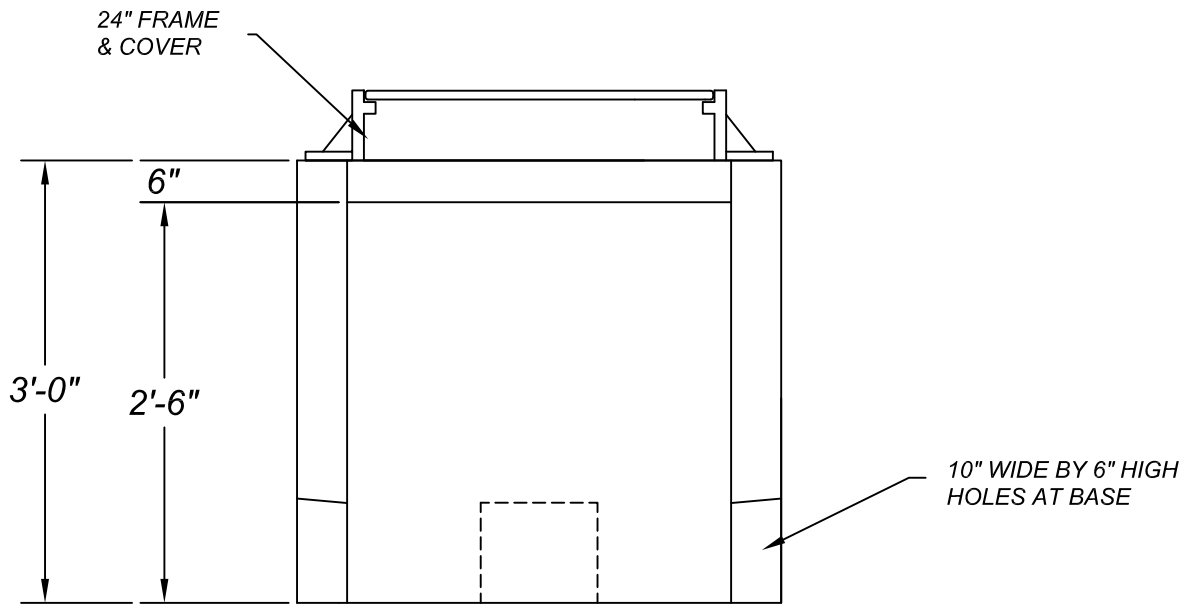


PLAN VIEW



SECTION VIEW

**NOTES:**

- 1) CONCRETE: 5,000 PSI @ 28 DAYS.
- 2) CEMENT: TYPE III PER ASTM C150-81.
- 3) DESIGN LOADING: H-20 PER ASTM C-478.

2' x 2' HAND HOLE / PULL BOX

HH-2

[www.georgerobertsco.com](http://www.georgerobertsco.com)

**George R. Roberts Co.**  
Precast Concrete Products

192 Biddeford Road Phone 207-324-6571  
Alfred, Maine 04002 Fax 207-324-8533