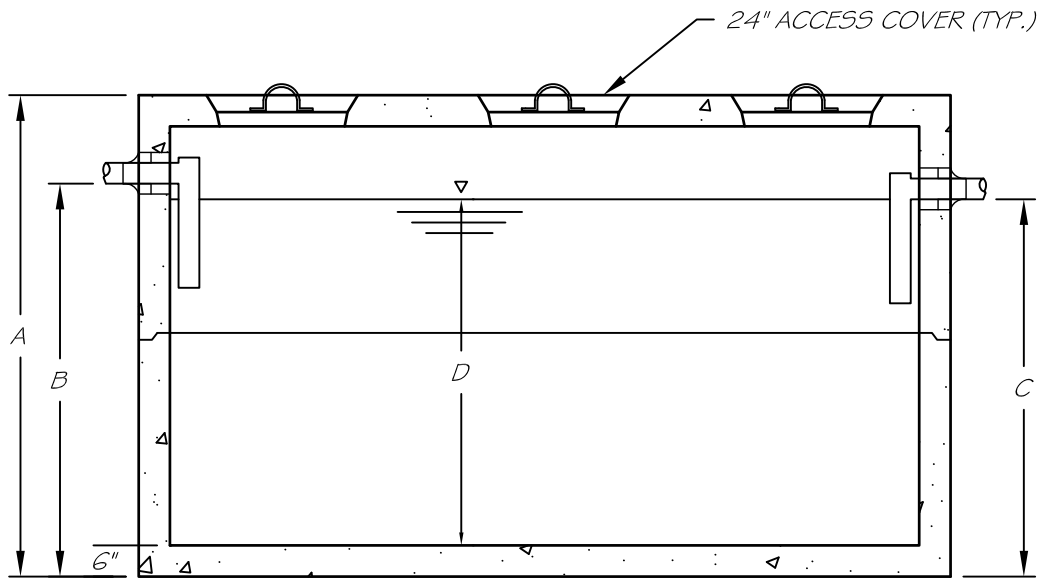


PLAN VIEW



SECTION A-A

DATA CHART

| ITEM NO. | GALLON CAPACITY | A | B | C | D |
|----------|-----------------|-----------|-------|-------|-------|
| CST-2500 | 2,500 | 7'-8 1/2" | 6'-3" | 6'-0" | 5'-6" |
| CST-3000 | 3,000 | 8'-4" | 6'-9" | 6'-6" | 6'-0" |
| CST-3500 | 3,500 | 8'-4" | 7'-0" | 6'-9" | 6'-3" |

DESIGN DATA & GENERAL NOTES

- 1) CONCRETE: 5,000 PSI @ 28 DAYS
- 2) CEMENT: TYPE III PER ASTM C150-81
- 3) DESIGN LOADING: AASHTO HS20-44
- 4) JOINTS TO BE SEALED WATERTIGHT W/ ASPHALTIC BUTYL SEALANT
- 5) TEES: PROVIDED & INSTALLED BY OTHERS

2,500-3,500 GALLON SEPTIC TANK

CATALOG SECTION: C TAB #: 2

www.georgerobertsco.com

George R. Roberts Co.
Precast Concrete Products

192 Biddeford Road Phone 207-324-6571
Alfred, Maine 04002 Fax 207-324-8533