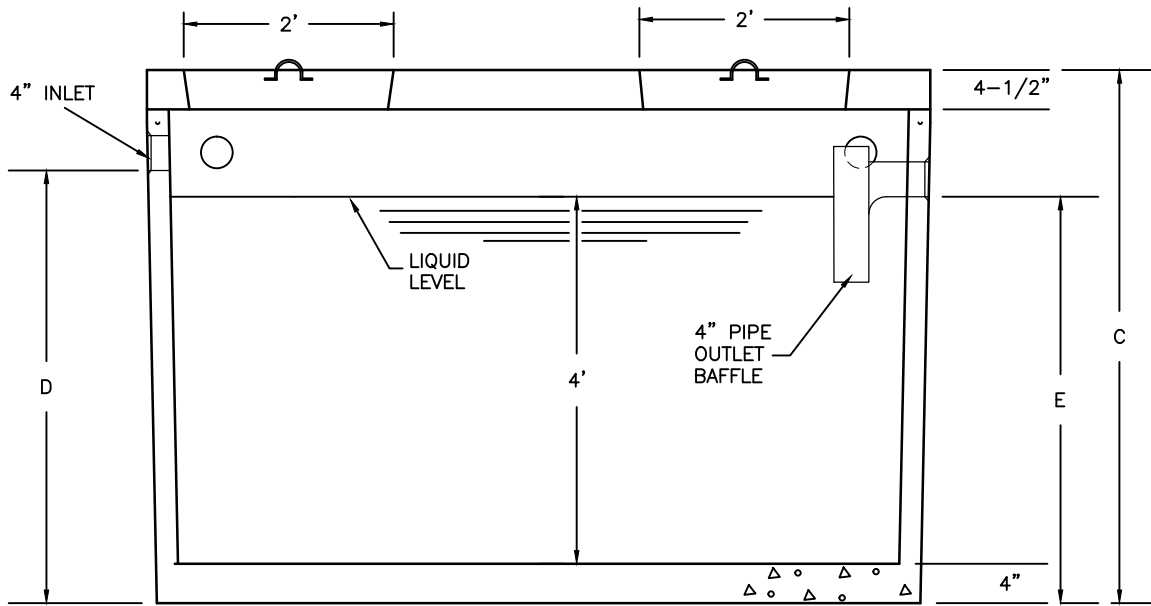


**PLAN VIEW**



**SIDE ELEV. VIEW SECTIONED**

**DATA CHART**

ITEM NO.		GALLON CAPACITY	A	B	C	D	E	APPROX. WEIGHT
STD.	H.D.							
RST-1000-M	RST-1000-MHD	1,000	10'-6"	5'-8"	5'-8"	4'-8"	4'-5"	11,833 LBS.

**DESIGN DATA & GENERAL NOTES**

- 1) CONCRETE: 4,000 PSI @ 28 DAYS.
- 2) CEMENT: PORTLAND TYPE I OR III PER ASTM C150.
- 3) REINFORCING: 6X6X10W.W.M. OR FIBERS.
- 4) DESIGN LOADING: H-10
- 5) CONSTRUCTION JOINT: SEALED W/ASPHALT.
- 6) HEAVY-DUTY TANK TOPS REINFORCED W/ #5 REBAR @ 12"O.C. EACH WAY.
- 7) MAINE STATE APPROVED FOR USE IN WATERSHED AREAS.

**1,000 GALLON MONOLITHIC SEPTIC TANK**

RST-1000-MONO

[www.georgerobertsco.com](http://www.georgerobertsco.com)

**George R. Roberts Co.**  
Precast Concrete Products

192 Biddeford Road Phone 207-324-6571  
Alfred, Maine 04002 Fax 207-324-8533