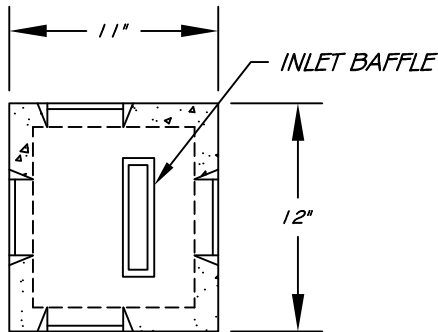
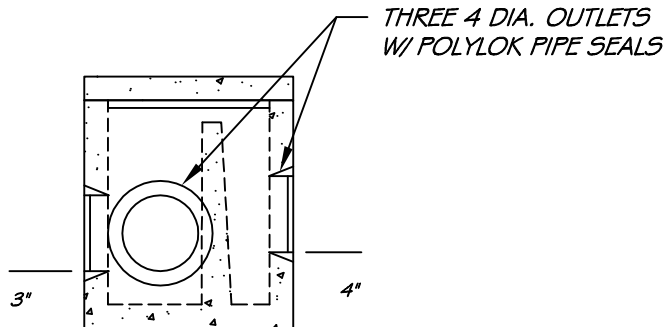


END VIEW



PLAN VIEW (WITHOUT COVER)



SIDE ELEVATION

DESIGN DATA & GENERAL NOTES

- 1) CONCRETE: 4,000 PSI @ 28 DAYS.
- 2) CEMENT: PORTLAND TYPE I OR III
PER ASTM C150.
- 3) REINFORCING: FIBERS.
- 4) DESIGN LOADING: H-10
- 5) APPROXIMATE WEIGHT: 70 LBS.

3 OUTLET MINI DISTRIBUTION BOX

DBPM-1-3

TAB #: 1

www.georgerobertsco.com

George R. Roberts Co.
Precast Concrete Products

192 Biddeford Road Phone 207-324-6571
Alfred, Maine 04002 Fax 207-324-8533