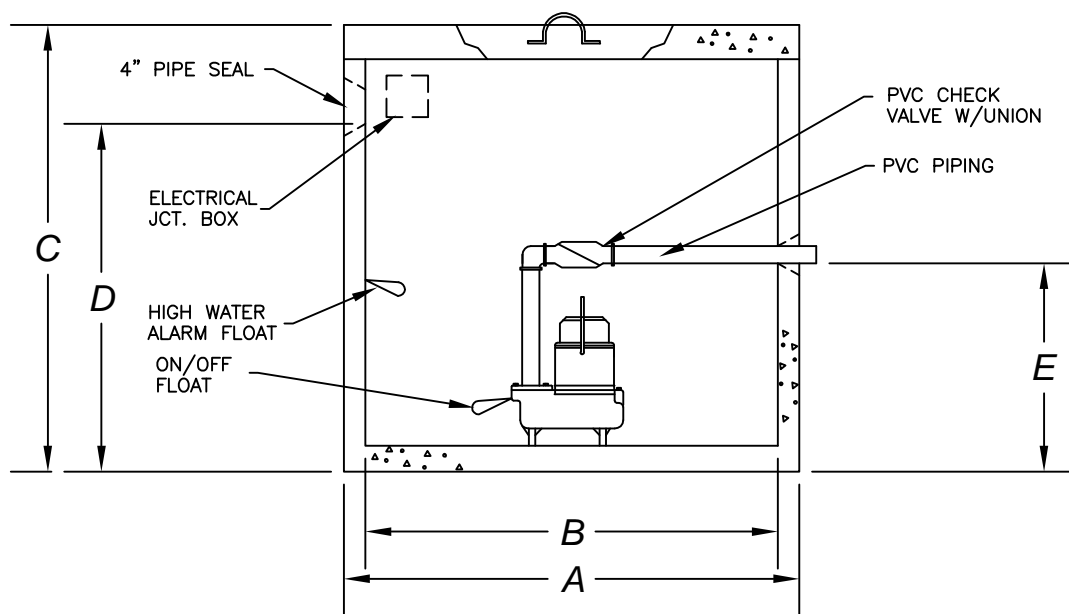


**PLAN VIEW**



**SIDE ELEV. VIEW SECTIONED**

**DATA CHART**

ITEM NO.	GAL.	A	B	C	D	E	PUMP	H.P.	APPR. WGT.
PSTG-100	100	3'-5"	3'-0"	3'-4"	2'-3"	2'-0"	LIBERTY	.5	1,580 LBS.
PSTG-100HH	100	3'-5"	3'-0"	3'-4"	2'-3"	2'-0"	MYERS	.5	2,750 LBS.
PSTG-300	300	4'-5"	4'-0"	4'-4"	3'-5"	2'-0"	LIBERTY	.5	2,750 LBS.
PSTG-300HH	300	4'-5"	4'-0"	4'-4"	3'-5"	2'-0"	MYERS	.5	2,750 LBS.
PSTG-300G	300	4'-5"	4'-0"	4'-4"	3'-5"	2'-0"	LIBERTY	1,2	2,825 LBS.

**DESIGN DATA & GENERAL NOTES**

1. CONCRETE: 4,000 P.S.I @ 28 DAYS.
2. CEMENT: PORTLAND TYPE III PER ASTM C150-81
3. REINFORCING: 6X6X10 W.W.M., OR FIBERS.
4. 1-1/2" OR 2" PIPING AVAILABLE.
5. COMES ASSEMBLED WITH PUMP, PIPING, VALVE, CONTROLS, & HIGH WATER ALARM UNIT.
6. RISERS HEIGHTS FOR 3'5" O.D.= 13",24",48".  
RISERS HEIGHTS FOR 4'5" O.D.= 13",24",44".
- 7 GRINDER (G) STATIONS TO BE USED IN CITY SEWER APPLICATIONS ONLY.

**PUMP STATION-TO-GO**

**George R. Roberts Co.**  
Precast Concrete Products

VARIOUS ITEM #'S

[www.georgerobertsco.com](http://www.georgerobertsco.com)

192 Biddeford Road Phone 207-324-6571  
Alfred, Maine 04002 Fax 207-324-8533